

Real-time Visual LED Display Board

VE Series

The VE Series visual LED display is an "Andon" system which is an ideal production management tool on the plant floor. The VE Series provides real-time visual feedback from the plant floor to achieve "Kaizen" for a "Visual Factory". The VE Series comes in two sizes, Model VE25-304S in a 25mm digit size and Model VE100-304S in a 100mm digit size.

Simple

Economical

Lean Manufacturing System

Improve Manufacturing Productivity
Reduce Down Time
Eliminate Waste

Easy Set-up



Plan



Pre Scale



Takt Time



VE100-304S
3 Row, 4 Digit Type
Digit Size : 100mm



Three Terminal Output

- Progress Loss
Red Light
- Progress Gain
Yellow Light Flash
- Goal
Green Light Flash



Wide Range AC Adaptor
(AC100 to 240V)

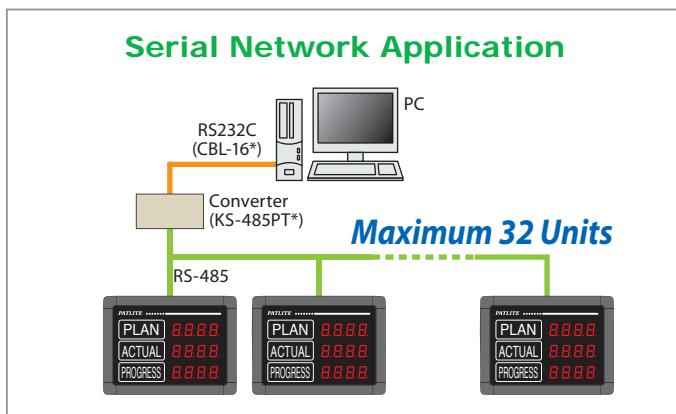


VE-IR
Infrared Remote Control Unit
(Sold Separately)



VE25-304S
3 Row, 4 Digit Type
Digit Size : 25mm

System Configurations



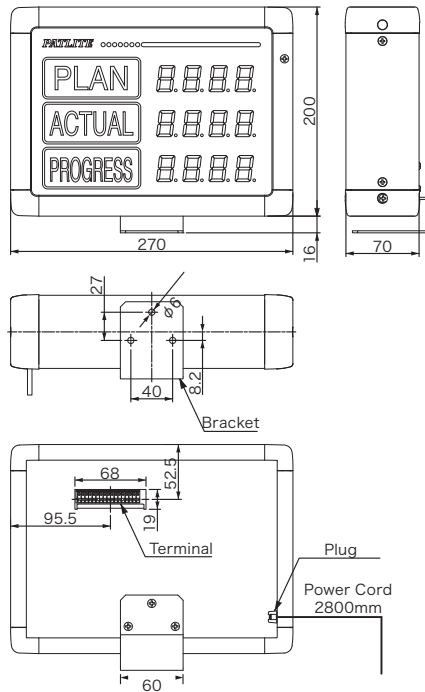
* Refer to the options available



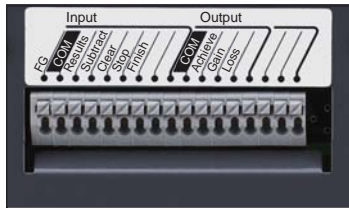
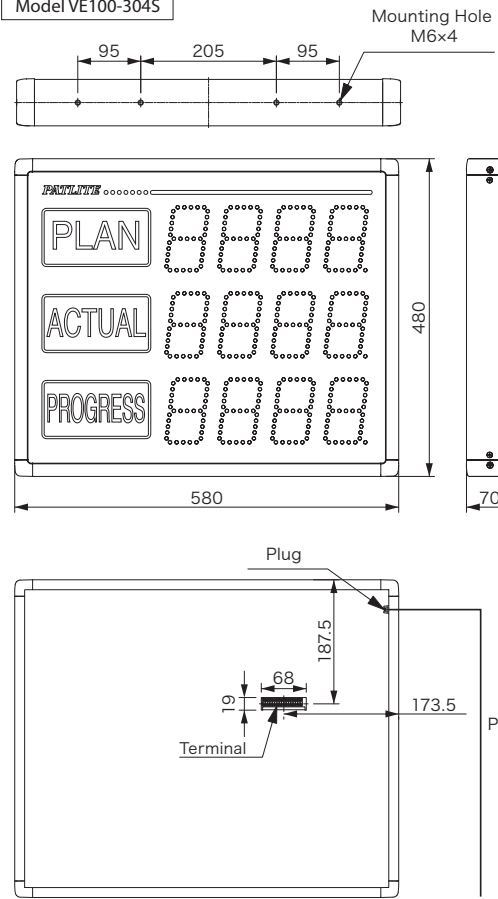
* Refer to the options available (Recommended RS232C (CBL-16) for (KS-485PT))

Dimensions

Model VE25-304S



Model VE100-304S



Screwless Terminal - No Tools Required

Cage clamp terminals, just push and release for secure contact. No tools are required.

Unit:mm

Options



Remote Control
Model: VE-IR

For
VE25-304S
VE100-304S



Display Board Label
[Made to Order]

For
VE25-304S
VE100-304S



Brackets (Set of 2)
Model: VE-01

For
VE100



AC Adaptor
Model: VE-AD01

For
VE25
VE100



RS232C/RS485 Converter
Model: KS-485PT

For
VE25-304S
VE100-304S



Connector Cable (1m)
Model: CBL-16

For
VE25-304S
VE100-304S

PATLITE (U.S.A.) Corporation

20130 S. Western Ave., Torrance, CA 90501, U.S.A. TEL.+1-310-328-3222 FAX.+1-310-328-2676

<http://www.patlite.com/us>

E-mail: sales@patlite.com

PATLITE Europe GmbH

E-mail: info@patlite.eu

Am Soeldnermoos 8, D-85399 Hallbergmoos, Germany
TEL.+49-0-811 9981 9770-0 FAX.+49-0-811 9981 9770-9

PATLITE (SINGAPORE) PTE LTD

PATLITE (CHINA) Corporation

PT. PATLITE INDONESIA (FACTORY)

PATLITE Corporation

CAUTION

To ensure correct use of these products, read the "Instruction Manual" prior to use. Failure to follow all safeguards can result in fire, electric shock, or other accidents. Specifications are subject to change without notice.



PATLITE Corporation reserves the right to modify product specifications without prior notice within our policy of continual product development.